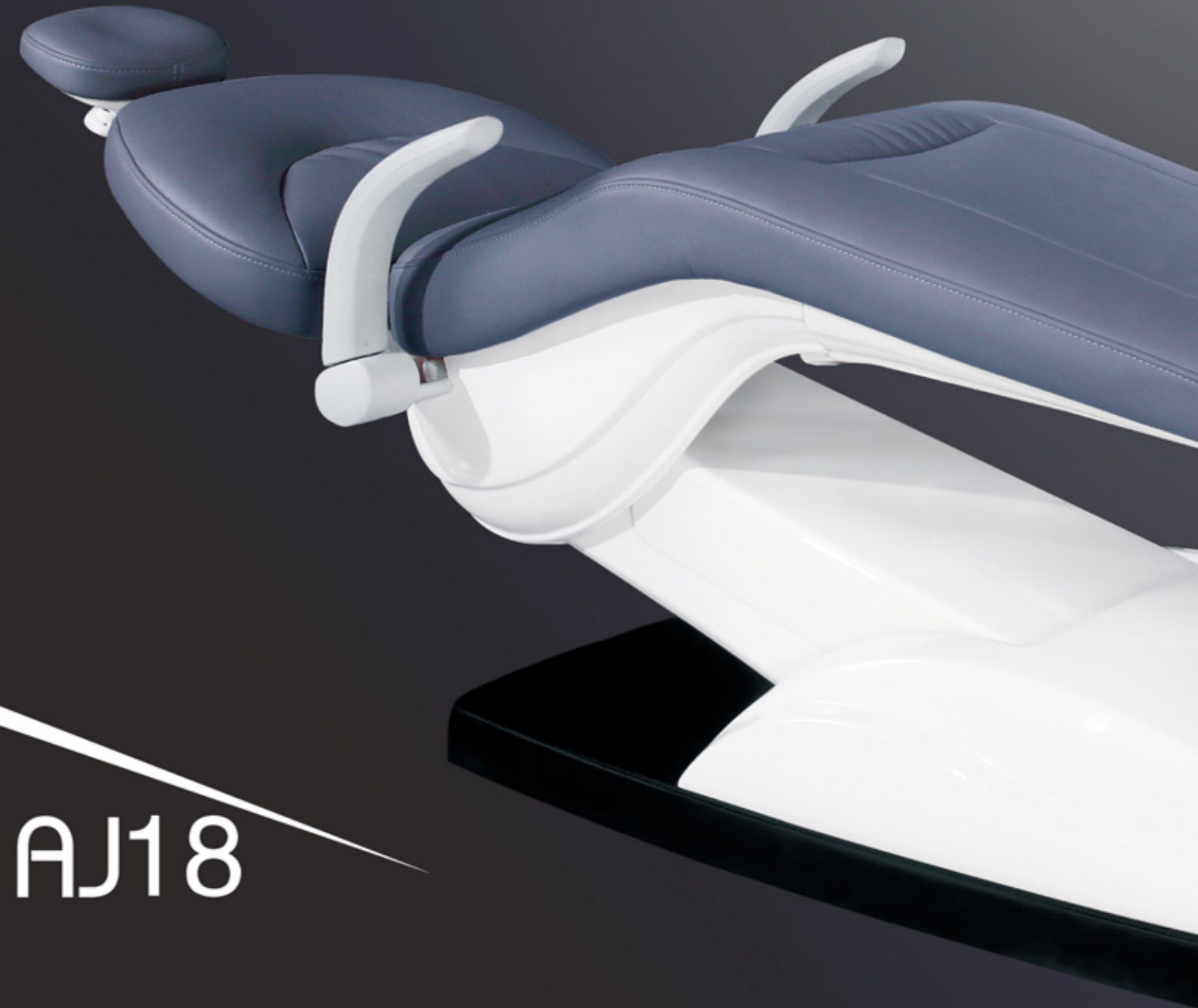




# ajax

Quality Creates Value Detail Makes Difference



**ajax** Guangzhou AJAX Medical Equipment Co., Ltd.

Add.: Building No.2, Dagang industrial zone, Shilou Town,  
Panyu District, Guangzhou, P.R.China 511447  
Tel : +86 20 84847938 Fax : +86 20 84847118  
www.ajaxdent.com ajax@ajaxdent.com



<http://www.ajaxdent.com>  
AJAX catalogue 2016 version 1.0  
2016 Ajax Medical Equipment Co., Ltd. All rights reserved.

## AJ18



# Elegant Noble Fashionable

**AJ18** is one of our high grade dental chair, it's designed by our designer from European, with graceful shape and classical style. We aim to satisfy the clinical professional needed and provide patients with comfortable chairs. Exerting the human engineering fully.





Efficient Safe Profession

Upgrade your Clinic





# Efficient four hands operation

Compared to the traditional single doctor operation, four hands operation is a high-efficiency operation, which can improve the doctor efficiency by 30% to 78%.



## 1.5L Large water bottle

It is convenient to load pure water and disinfectant.



## Water bottle one switch control

One switch instead of two switches, it's simple and easy to operate.



Rotatable water unit design for four handed dentistry and convenient maintenance.



## Fast Motor

The backrest can complete restoration in 9 seconds.



## Double pivot arm for assistant table

Easy for assistant to find a suitable position.



## 10 function assistant control panel

Convenient for assistant to control the function of dental chair.



## Lamp-chair ganged

LED lamp will be off automatic when press the program button, and it will be on again when reach the treatment position, that can improve the working efficiency.

## One Button restoration

Button "R" can change the chair between working position and initial position easily.



## Multi-function foot control

Including chair control, instrument panel. Rinse and cup filling.





# Satisfy the professional request

Oral treatment requests doctors and nurses with high expertise. Our AJ18 with different special design, can meet each professional Demand.



## New design filter

Better filtration performance sealing against leaking, stronger suction power easy disassembling and cleaning, more durable.



## Auto water draining system

The water will drain out automatically after the switch being turn off.



## Metal suction handle

Metal suction handle with adjustable switch.

## Surface bearing level arm

Our chair can make the instrument move smooth, easier for doctor during the treatment.



## water/air purification system

Our chair with dual water and air filtration system, can make the water and air cleaner.

## Hand piece power stable system

Water and air in the hand piece can keep stable when outside water and air pressure are not enough.

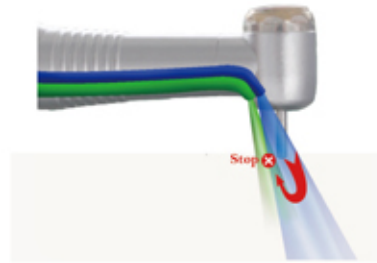


# Safety and Hygiene ensurance

We aim to provide a safety and hygiene environment to both dentists and patients.

## Handpiece anti flow system

To prevent infection through the pipeline between patients.



## Suction delay off system

5 seconds delay off to ensure suction pipelines is completely emptied.



## Rotatable glass spittoon

The spittoon is rotatable, easy for patients to spit.



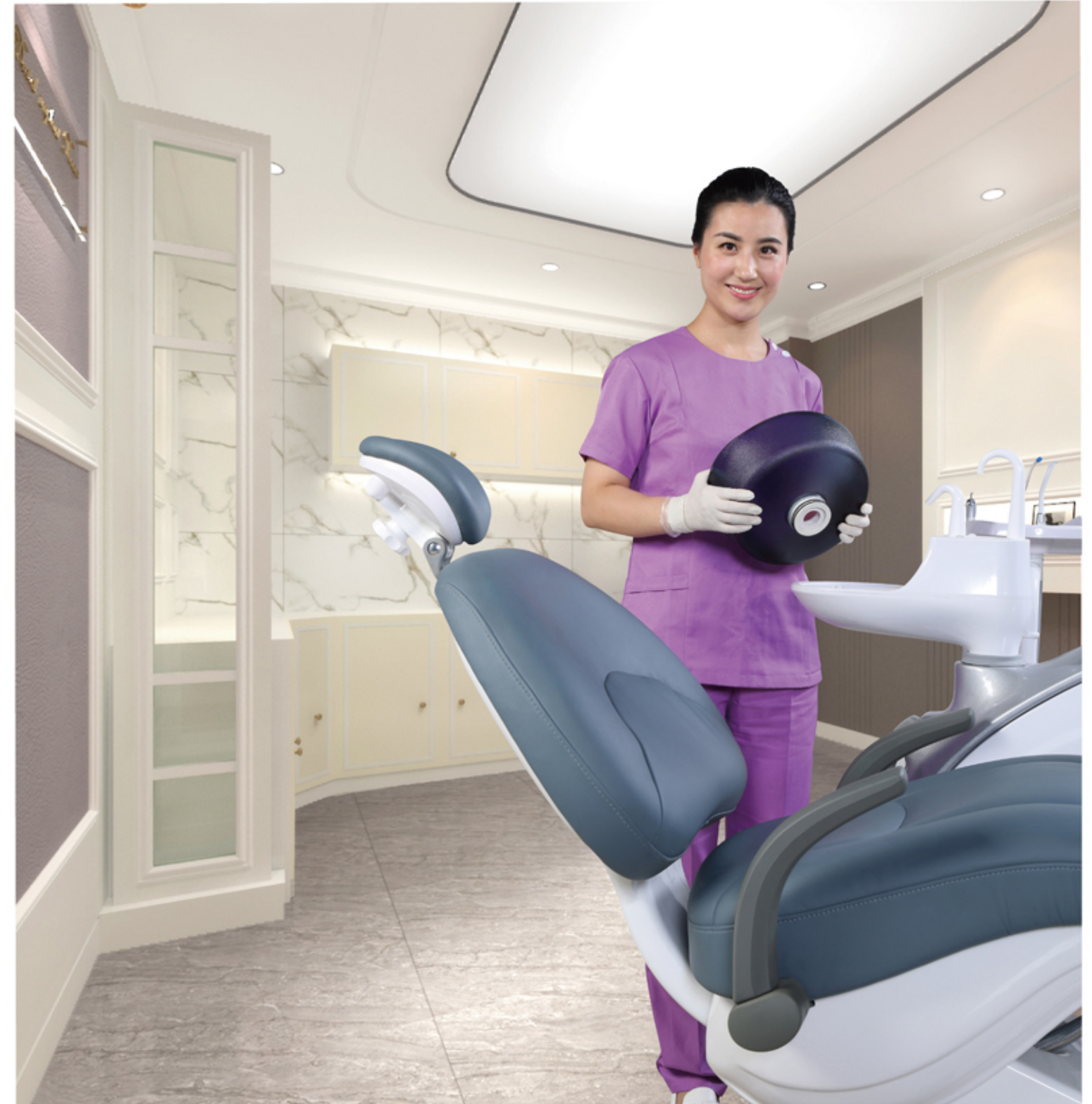
## Chair and instrument locking system

The chair movement being locked during the instrument in operation.



## Enclosed electric safety box

Designed with European standard, prevent moist and electromagnetic interference.





# Patient feeling comfortable

AJ18 dental chair can give a very comfortable feeling to the patient which can help them to reduce their fears and create relaxing during treatment.



- **Comfortable headrest**  
Hook face headrest can fix the patient head better.
- **Comfortable backrest**  
Backrest with special "U" line, it's fit for the patient perfectly, the whole back of the patient can be supported.
- **Human engineering design dental chair**  
Exerting human engineering makes the chair match the body very well. Ergomotion chair helps patients reduce their pushing feeling during the treatment.
- **Ultralow chair entrance position**  
Our chair with ultralow chair position, easy for children and old people to get on and off.
- **High abrasion resistance sewed ultra-fiber Leather upholstery**





## Faro EDI without sensor



### Close to patient freely

The curve design on the backrest, makes the assistant can maximum close to the treatment area.



### Sumptuous space for legs

Pear-shaped backrest not only enables ergonomic access to oral cavity for dentists but also makes large comfort for patients.



### One Button restoration

Button "R" can change the chair between working position and initial position easily.



### D3 Doctor Stool with 6 fuction

Support healthy seated posture for doctors  
Backrest, Height and angle of the seat are adjustable  
Whisper quiet caters provides smooth, ultra-quiet movement on hard flooring.

# Healthy working

In the daily job, request dentist to keep the same position for several hours, it will hurt their cervical vertebra and lumbar vertebra. Our chair and stool can give dentist a comfortable position. relieving the fatigue of muscle commendably. Prolong career of dentist and improve the quality of life.





# Reliable Stable Durable



**Aluminum cast water unit frame**  
Aluminum casting materials, ensure the instrument and light stable.



**Faro EDI without sensor**



**Rotatable glass spittoon**  
The spittoon is rotatable, easy for patients to spit.



**Cast aluminum alloy patient chair**



**New design filter**  
Better filtration performance sealing against leaking, stronger suction power easy disassembling and cleaning, more durable.



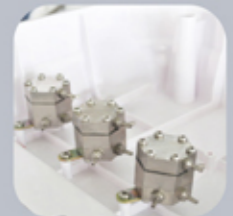
**Water bottle one switch control**  
One switch instead of two switch, it's simple and easy to operate.



**American made tubing**  
All internal air and water pipelines are sourced from America.



**Individual air water valve**  
Each tube with individual valve make the valve durable.



**Water/Air/Power one switch on/off control system**  
Prevent high water pressure at night to extend pipelines life after doctor finished work.



**Enclosed electric safety box**  
Designed with European standard, prevent moist and electromagnetic interference.





## Standard configurations

### Dental light

Faro EDI without sensor

**Patient chair**  
Ergomotion chair  
Seamless upholstery  
Articulated headrest  
Rotatable armrest  
Chair-instrument safety lock system  
3 programmable work positions  
Multi-function foot control  
Fast Motor  
Cast aluminum alloy patient chair.

### Delivery system

Hanging hose system

Silicon pad for tray  
Air turbine hose x 3  
Three way syringe  
Panoramic x-ray viewer  
15function control panel

**Assistant**  
Three way syringe with warm water  
HVEwith adjustable switch  
Saliva ejector  
10 function control panel

**Water unit**  
Rotatable glass spittion  
Clean water bottle system  
Disinfectant system

24V water heater  
High quality air and water lines

**Junction box**  
Integral junction box  
Water/Air/Power one switch control system  
Hand piece power stable system  
Dual water/air purification system

**Dental stool**  
D3 dental stool with 6 functions

## Options

- Faro LED light(made in Italy)
- Fiber leather upholstery
- Monitor with arm
- Intraoral camera
- Built-in scaler
- Built-in curing light
- High speed handpiece
- TKD micromotor
- Top mounted delivery table
- Assistant stool
- Cart system
- Fiber optic system

## Color sample

### Ultra fiber leather



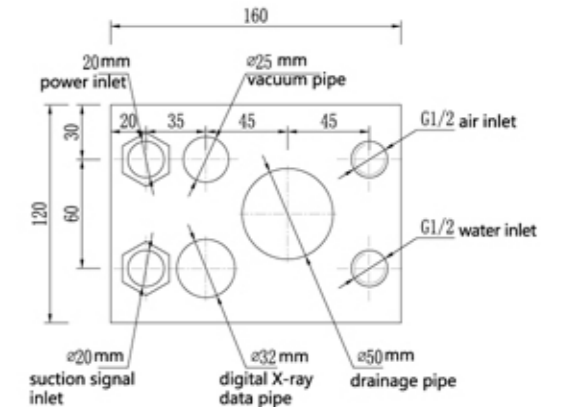
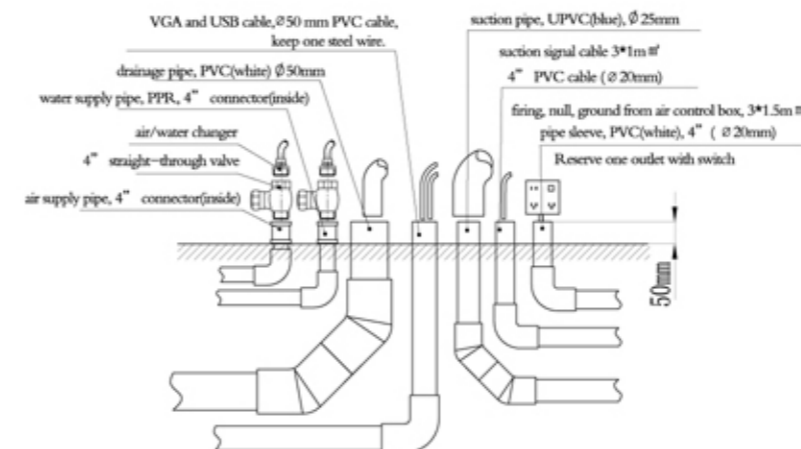
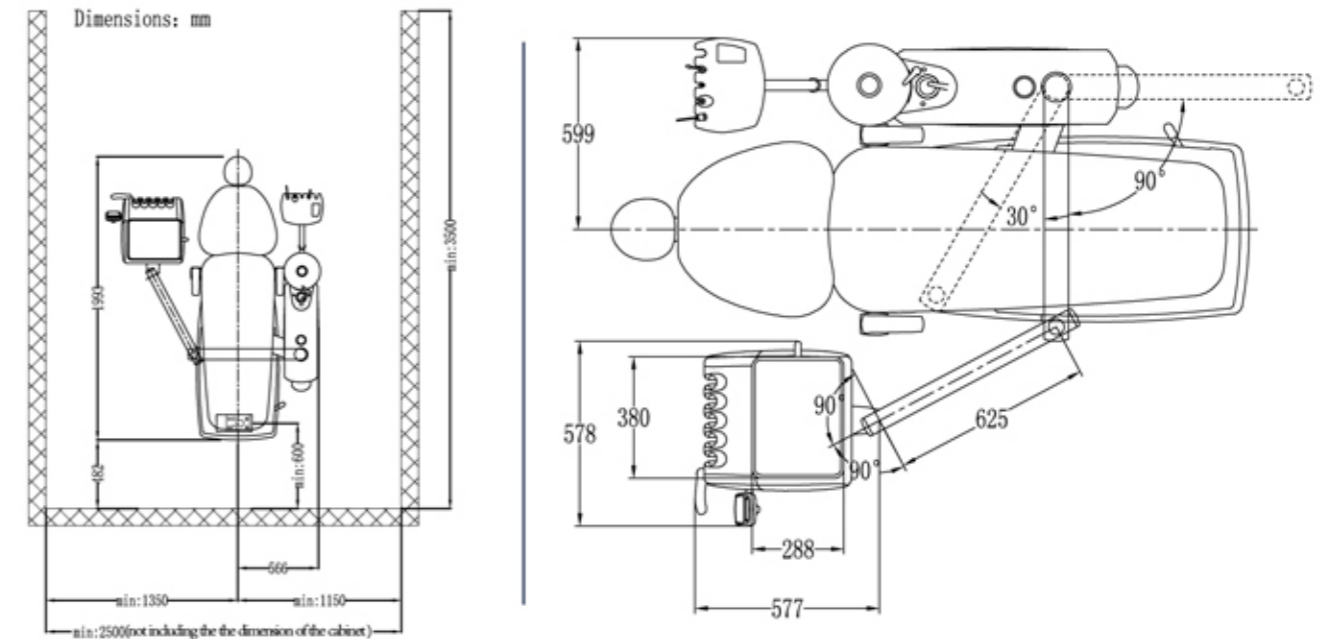
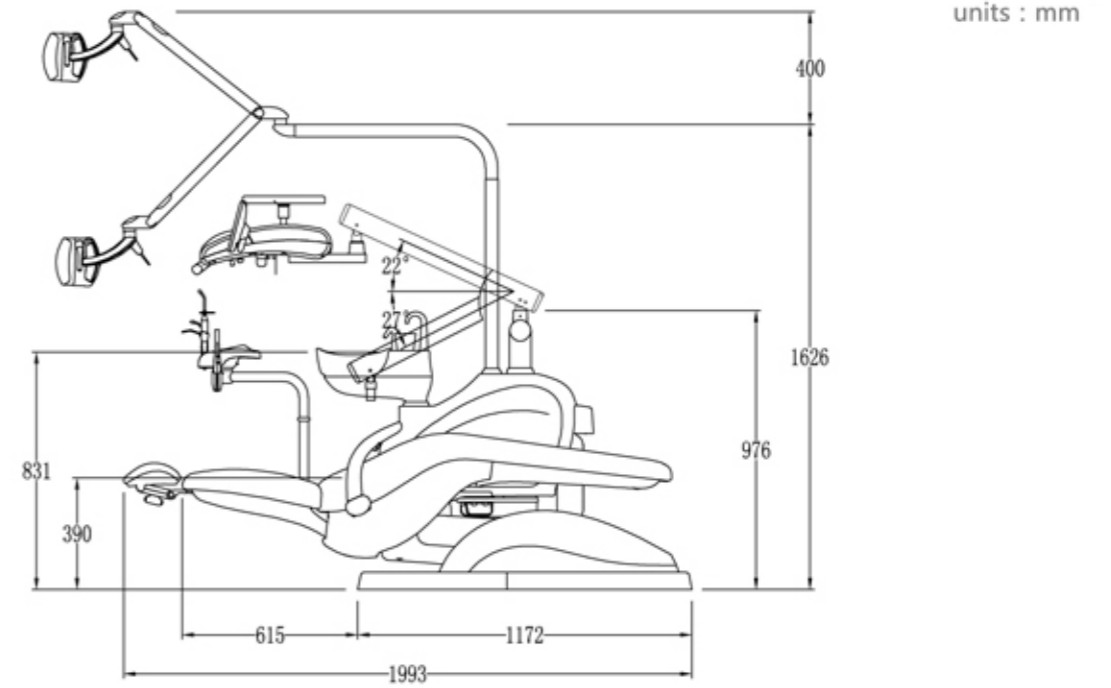
U1 Brown U2 Champagne U3 Blue U4 Green U5 Grey U6 Cobalt Blue U7 Misty Grey U8 Orange U9 Red U10 Wine Red U11 Grass Green

### PU colors



S1 Light Blue S2 Indigo S3 Navy Blue S4 Dark Blue S5 Light Green S6 Yellow S7 Orange S8 Pink S9 Apple Green S10 Dark Green S11 Silver S12 Lemon Yellow

## Dimensions







CE 0120  
ISO 13485:2003  
ISO 9001

European  
Free Sells  
certificate

# ajax

Quality Creates Value Detail Makes Difference



**ajax** Guangzhou AJAX Medical Equipment Co., Ltd.

Add.: Building No.2, Dagang industrial zone, Shilou Town,  
Panyu District, Guangzhou, P.R.China 511447  
Tel : +86 20 84847938 Fax : +86 20 84847118  
www.ajaxdent.com ajax@ajaxdent.com



[Http://www.ajaxdent.com](http://www.ajaxdent.com)  
AJAX catalogue 2016 version 1.0  
2016 Ajax Medical Equipment Co., Ltd. All rights reserved.

## AJ16



# Luxury Advanced Modern

AJ16 is one of our advanced dental chair, we specially designed for American market, with our concept "Luxury, Advanced, Modern", aim to satisfy the clinical professional needed and provide patients with comfortable wide chairs, exerting the human engineering.





Efficient Safe Profession

Upgrade your Clinic





# Efficient four hands operation

Compared to the traditional single doctor operation, four hands operation is a high-efficiency operation, which can improve the doctor efficiency by 30% to 78%.



## 1.5L Large water bottle

It is convenient to load pure water and disinfectant.



## Water bottle one switch control

One switch instead of two switch, it's simple and easy to operate.



Rotatable water unit design for four handed dentistry and convenient maintenance.



## Fast Motor

The backrest can complete restoration in 9 seconds.



## Double pivot arm for assistant table

Easy for assistant to find a suitable position.



## 10 function assistant control panel

Convenient for assistant to control the function of dental chair.



## Lamp-chair ganged

LED lamp will be off automatic when press the program button, and it will be on again when reach the treatment position, that can improve the working efficiency.

## One Button restoration

Button "R" can change the chair between working position and initial position easily.



## Multi-function foot control

Including chair control, instrument panel. Rinse and cup filling.



# Satisfy the professional request

Oral treatment requests doctors and nurses with high expertise. Our AJ16 with different special design, can meet each professional Demand.



## New design filter

Better filtration performance sealing against leaking, stronger suction power easy disassembling and cleaning, more durable.



## Auto water draining system

The water will drain out automatically after the switch being turn off.



## Metal suction handle

Metal suction handle with adjustable switch.

## Surface bearing level arm

Our chair can make the instrument move smooth, easier for doctor during the treatment.



## water/air purification system

Our chair with dual water and air filtration system, can make the water and air cleaner.

## Hand piece power stable system

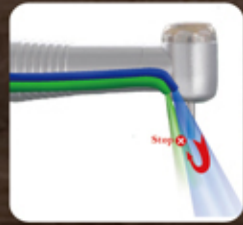
Water and air in the hand piece can keep stable when outside water and air pressure are not enough.





# Safety and Hygiene ensurance

We aim to provide a safety and hygiene environment to both dentists and patients.



## Handpiece anti flow system

To prevent infection through the pipeline between patients.



## Suction delay off system

5 seconds delay off to ensure suction pipelines is completely emptied.



## Independent dual water bottle

Easier to disinfect the pipeline, reduce the cross infection in the pipeline keep the equipment cleaning.

## Water/Air/Power one switch on/off control system

Prevent high water pressure at night to extend pipelines life after doctor finished work.



## Enclosed electric safety box.

Designed with European standard, prevent moist and electromagnetic interference.



## Chair and instrument locking system

The chair movement being locked during the instrument in operation.





# Patient feeling comfortable

AJ16 dental chair can give a very comfortable feeling to the patient which can help them to reduce their fears and create relaxing during treatment.



- **Comfortable headrest**  
Hook face headrest can fix the patient head better.
- **Comfortable backrest**  
Backrest with special "U" line, it's fit for the patient perfectly, the whole back of the patient can be supported.
- **Human engineering design dental chair**  
Exerting human engineering makes the chair match the body very well. Ergomotion chair helps patients reduce their pushing feeling during the treatment.
- **Ultralow chair entrance position**  
Our chair with ultralow chair position, easy for children and old people to get on and off.
- **High abrasion resistance sewed ultra-fiber Leather upholstery**





# Healthy working

In the daily job, request dentist to keep the same position for several hours, it will hurt their cervical-vertebra and lumbar vertebra. Our chair and stool can give dentist a comfortable position. relieving the fatigue of muscle commendably. Prolong career of dentist and improve the quality of life.



## Dental light with sensor



Deluxe dental light with larger light area and sensor control.



### Close to patient freely

The curve design on the backrest, makes the assistant can maximum close to the treatment area.



### Sumptuous space for legs

Pear-shaped backrest not only enables ergonomic access to oral cavity for dentists but also makes large comfort for patients.



### One Button restoration

Button "R" can change the chair between working position and initial position easily.



### D3 Doctor Stool with 6 fuction

Support healthy seated posture for doctors.  
Backrest, Height and angle of the seat are adjustable.  
Whisper quiet caters provides smooth, ultra-quiet movement on hard flooring.



# Reliable Stable Durable



**Aluminum cast water unit frame**  
Aluminum casting materials, ensure the instrument and light stable.

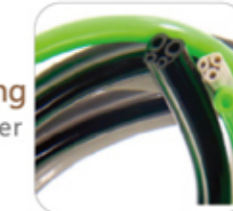
**Rotatable spittoon**  
Convenient for patient to spit, and easy to clean.

**Stable water unit**  
New water unit frame by aluminum alloy casting, improve the chair stable stability.

**Water bottle one switch control**  
One switch instead of two switch, it's simple and easy to operate.



**American made tubing**  
All internal air and water pipelines are sourced from America.



**Individual air water valve**  
Each tube with individual valve make the valve durable.



**Cast aluminum alloy patient chair**



**New design filter**  
Better filtration performance sealing against leaking, stronger suction power easy disassembling and cleaning, more durable.

**Water/Air/Power one switch on/off control system**  
Prevent high water pressure at night to extend pipelines life after doctor finished work.



**Enclosed electric safety box.**  
Designed with European standard, prevent moist and electromagnetic interference.



## Standard configurations

### Dental light

Faro EDI without sensor

**Patient chair**  
Ergomotion chair  
Seamless upholstery  
Articulated headrest  
Rotatable armrest  
Chair-instrument safety lock system  
3 programmable work positions  
Multi-function foot control  
Fast Motor  
Cast aluminum alloy patient chair.

### Delivery system

Hanging hose system

Silicon pad for tray  
Air turbine hose x 3  
Three way syringe  
Panoramic x-ray viewer  
15function control panel

**Assistant**  
Three way syringe with warm water  
HVE with adjustable switch  
Saliva ejector  
10 function control panel

**Water unit**  
Rotatable glass spittion  
Clean water bottle system  
Disinfectant system

24V water heater  
High quality air and water lines

**Junction box**  
Integral junction box  
Water/Air/Power one switch control system  
Hand piece power stable system  
Dual water/air purification system

**Dental stool**  
D3 dental stool with 6 functions

## Options

-Faro LED light(made in Italy)  
-Fiber leather upholstery  
-Monitor with arm  
-Intraoral camera

-Built-in scaler  
-Built-in curing light  
-High speed handpiece  
-TKD micromotor

-Top mounted delivery table  
-Assistant stool  
-Cart system  
-Fiber optic system

## Color sample

### Ultra fiber leather



U1 Brown U2 Champagne U3 Blue U4 Green U5 Grey U6 Cobalt Blue U7 Misty Grey U8 Orange U9 Red U10 Wine Red U11 Grass Green

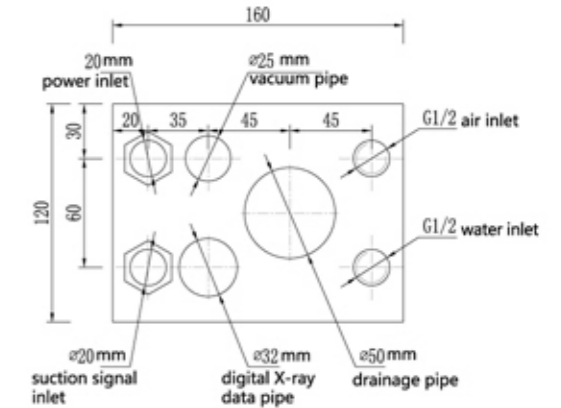
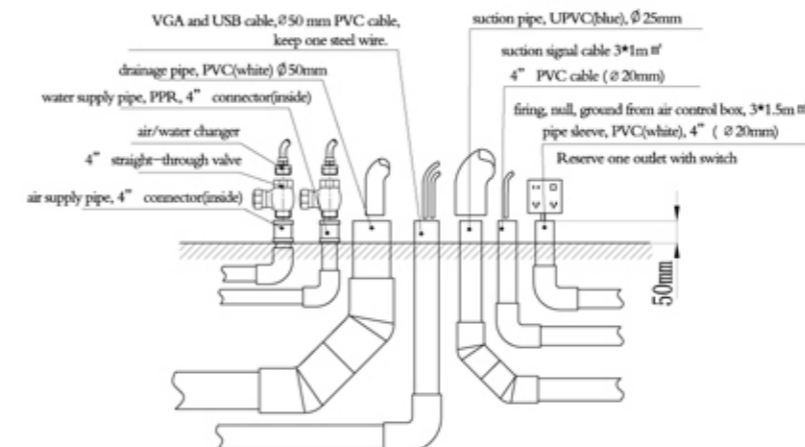
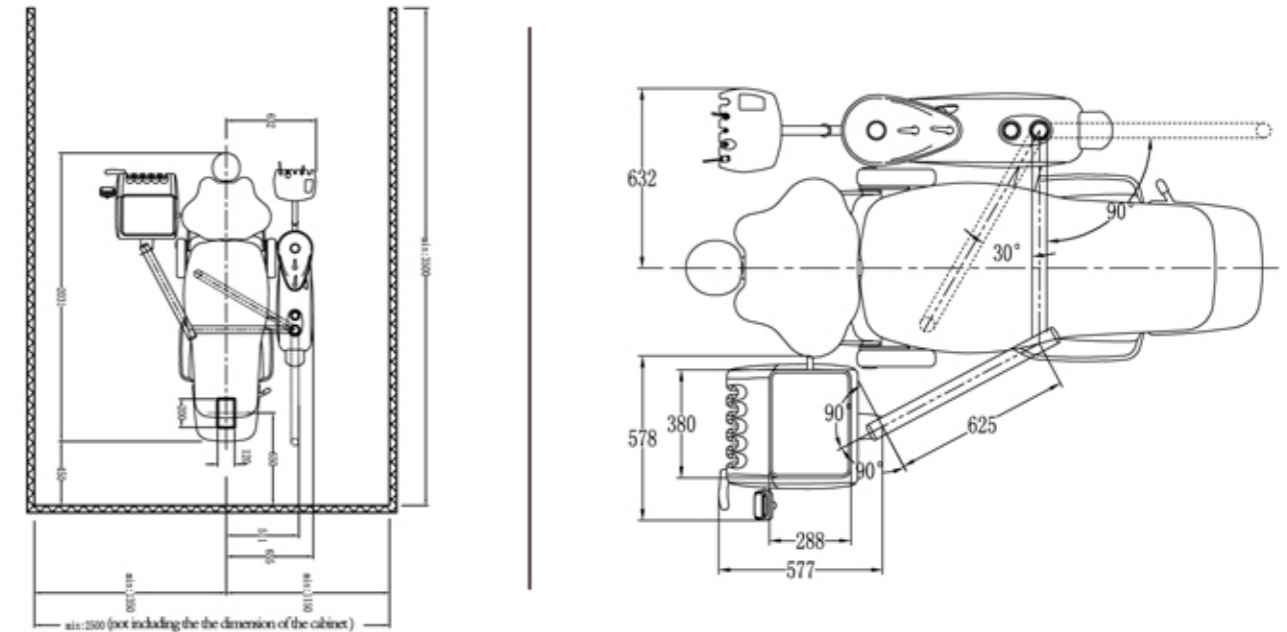
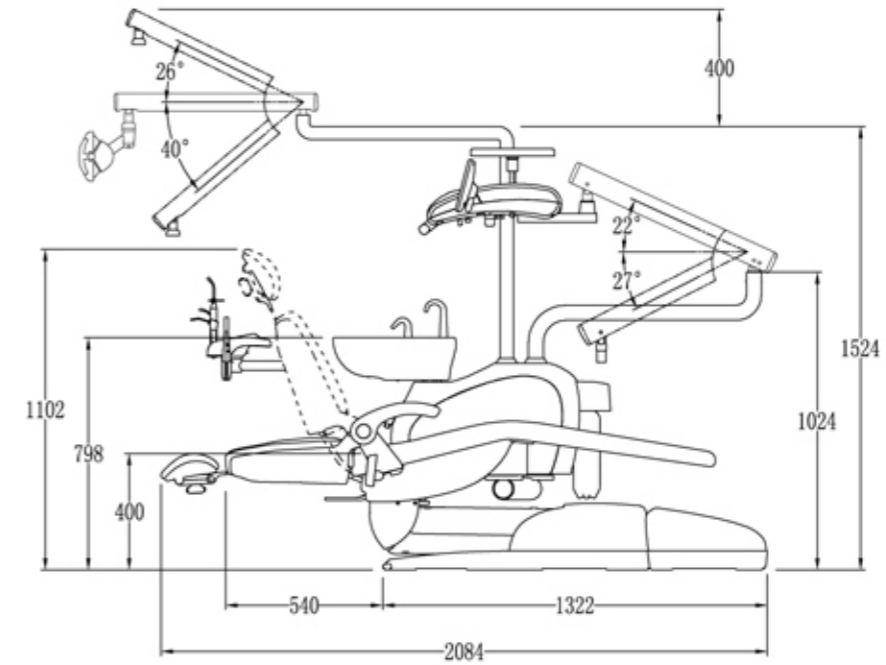
### PU colors



S1 Light Blue S2 Indigo S3 Navy Blue S4 Dark Blue S5 Light Green S6 Yellow S7 Orange S8 Pink S9 Apple Green S10 Dark Green S11 Silver S12 Lemon Yellow

## Dimensions

units : mm







CE 0120  
ISO-13485:2003  
ISO9001

European  
Free Sells  
certificate



# ajax

Quality Creates Value Detail Makes Difference



**ajax** Guangzhou AJAX Medical Equipment Co., Ltd.

Add.: Building No.2, Dagang industrial zone, Shilou Town,  
Panyu District, Guangzhou, P.R.China 511447

Tel : +86 20 84847938 Fax : +86 20 84847118

www.ajaxdent.com ajax@ajaxdent.com



<http://www.ajaxdent.com>  
AJAX catalogue 2016 version1.0  
2016 Ajax Medical Equipment Co., Ltd. All rights reserved.

## AJ12



# Comfortable Healthy



**AJ12** is one of our high class dental chairs, with exquisite outlook, high quality materials. Our concept is to create healthy working conditions for dentist and comfortable environment for patients.



# Healthy working

In the daily job, request dentist to keep the same position for several hours, it will hurt their cervical vertebra and lumbar vertebra. Our chair and stool can give dentist a comfortable position. relieving the fatigue of muscle commendably. Prolong career of dentist and improve the quality of life.



**Sumptuous space for legs**  
Pear-shaped backrest not only enables ergonomic access to oral cavity for dentists but also makes large comfort for patients.



**Close to patient freely**  
The curve design on the backrest, makes the assistant can maximum close to the treatment area.



**D2 Doctor Stool with 4 fuction**  
D2 dental stool has 4 functions, it is ergonomically designed and engineered. To fit the human body to reduce stress and fatigue. Backrest and stool height are both adjustable.



**Dental light with sensor**  
Deluxe dental light with larger light area and sensor control.



# Patient feeling comfortable

AJ12 dental chair can give a very comfortable feeling to the patient which can help them to reduce their fears and create relaxing during treatment.



**Comfortable headrest**  
Articulating dual axis headrest with adjustable height.



**Aluminum casting backrest**  
Special design for the backrest, is fit for patients perfectly.



**Ergonomics Chair**  
Human engineering design, make chair and body match well, avoid patient's pushing feeling.



**Chair lowest position 350mm**  
Makes easy entry and exit for patient.



# Reliable Stable Durable



**1 High quality metal backrest**  
2.5mm stainless steel, with strong support.

**2 Stable water unit**  
New water unit frame made by aluminum alloy casting, improve the chair stable stability.

**3 Rotatable water unit**  
design for four handed dentistry and convenient maintenance.

**4 Aluminum cast water unit frame**  
Aluminum casting materials, ensure the instrument and light stable.

**5 Rotatable spittoon**  
Convenient for patient to spit, and easy to clean.



**New design filter**  
Better filtration performance sealing against leaking, stronger suction power easy disassembling and cleaning, more durable.



**American made tubing**  
All internal air and water pipelines are sourced from America.

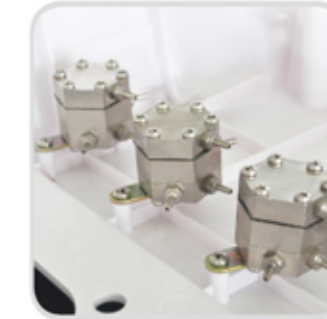


**Water bottle one switch control**  
One switch instead of two switch, it's simple and easy to operate.

**Enclosed electric safety box**  
Designed with European standard, prevent moist and electromagnetic interference.



**Individual air water valve**  
Each tube with individual valve make the valve durable.



**Silicon pad for tray**  
Silicon pad for doctor and assistant tray are provided, which can be autoclaved.



**Removable backrest**  
Easy installation and take off for maintenance or replacement.



**10 function assistant control panel**  
Convenient for assistant to control the function of dental chair.



## Standard configurations

**Dental light**  
Deluxe dental light with sensor

**Patient chair**  
Ergomotion chair  
Seamless upholstery  
Articulated headrest  
Rotatable armrest  
Chair-instrument safety lock system  
3 programmable work positions  
Round foot control

**Delivery system**  
Hanging hose system  
Silicon pad for instrument table  
Air turbine hose x 3  
Three way syringe  
Built-in X-ray viewer  
15function control panel

**Assistant**  
Three way syringe with warm water  
10 function control panel  
With instrument table

**Water unit**  
Rotatable cuspidor  
Rotatable Ceramic spittoon  
Clean water bottle system  
24V water heater  
High quality air and water lines

**Junction box**  
Integral junction box

**Dental stool**  
D2 dental stool with 4 functions

## Options

-Faro LED light(made in Italy)  
-Fiber leather upholstery  
-Monitor with arm  
-Intraoral camera

-Built-in scaler  
-Built-in curing light  
-High speed handpiece  
-TKD micromotor

-Top mounted delivery table  
-Assistant stool  
-Cart system  
-Fiber optic system

## Color sample

Ultra fiber leather



U1 Brown U2 Champagne U3 Blue U4 Green U5 Grey U6 Cobalt Blue U7 Misty Grey U8 Orange U9 Red U10 Wine Red U11 Grass Green

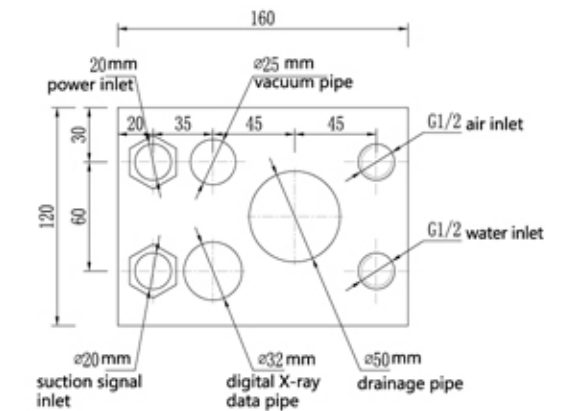
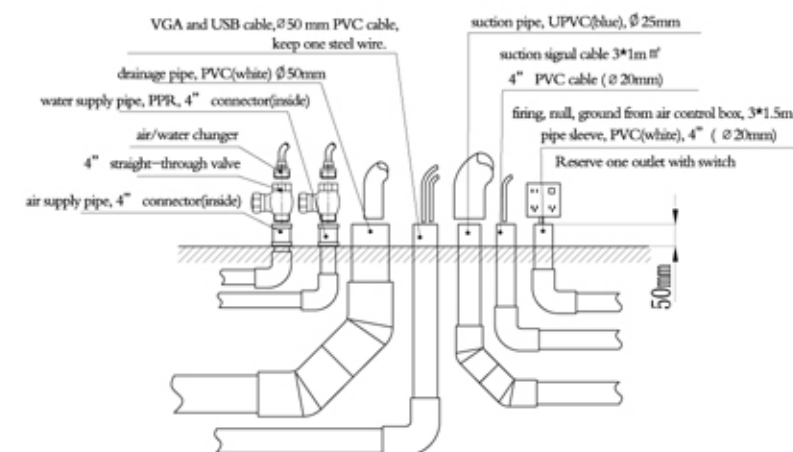
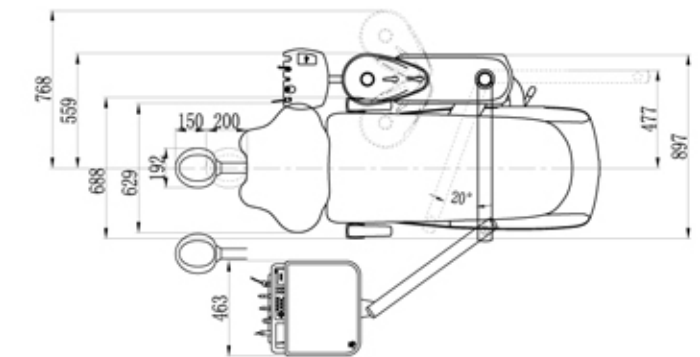
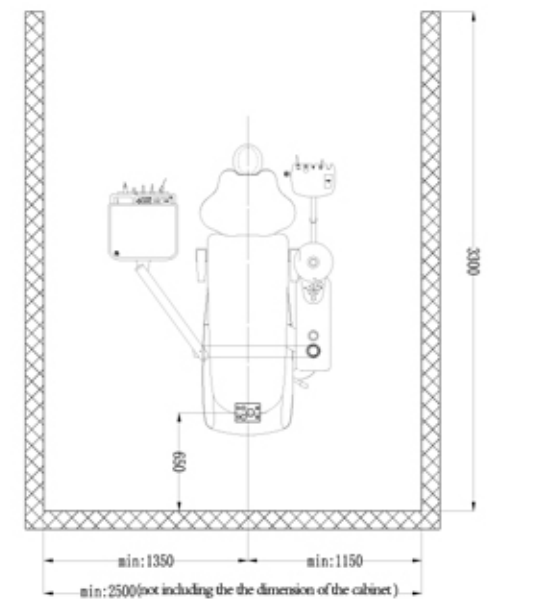
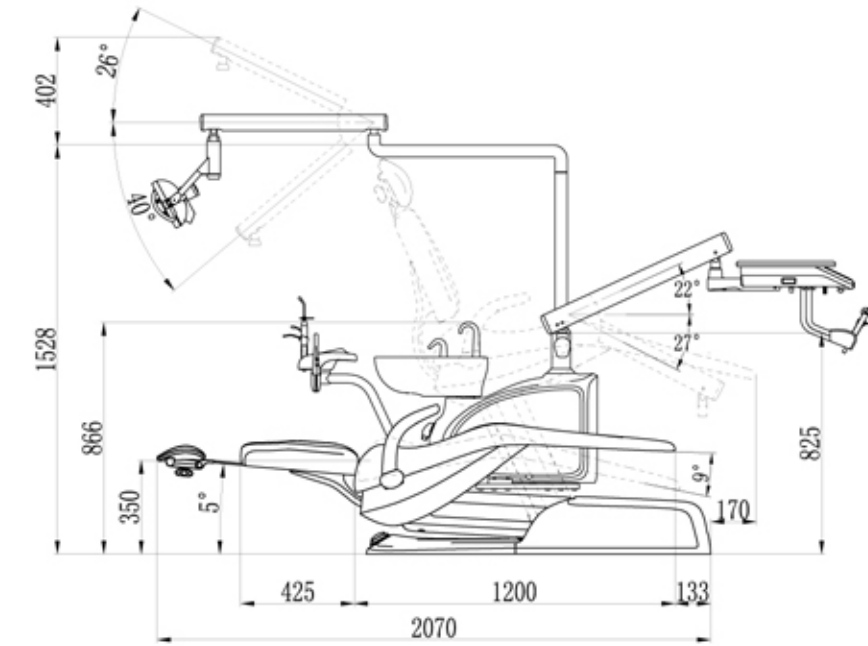
PU colors



S1 Light Blue S2 Indigo S3 Navy Blue S4 Dark Blue S5 Light Green S6 Yellow S7 Orange S8 Pink S9 Apple Green S10 Dark Green S11 Silver S12 Lemon Yellow

## Dimensions

Units : mm





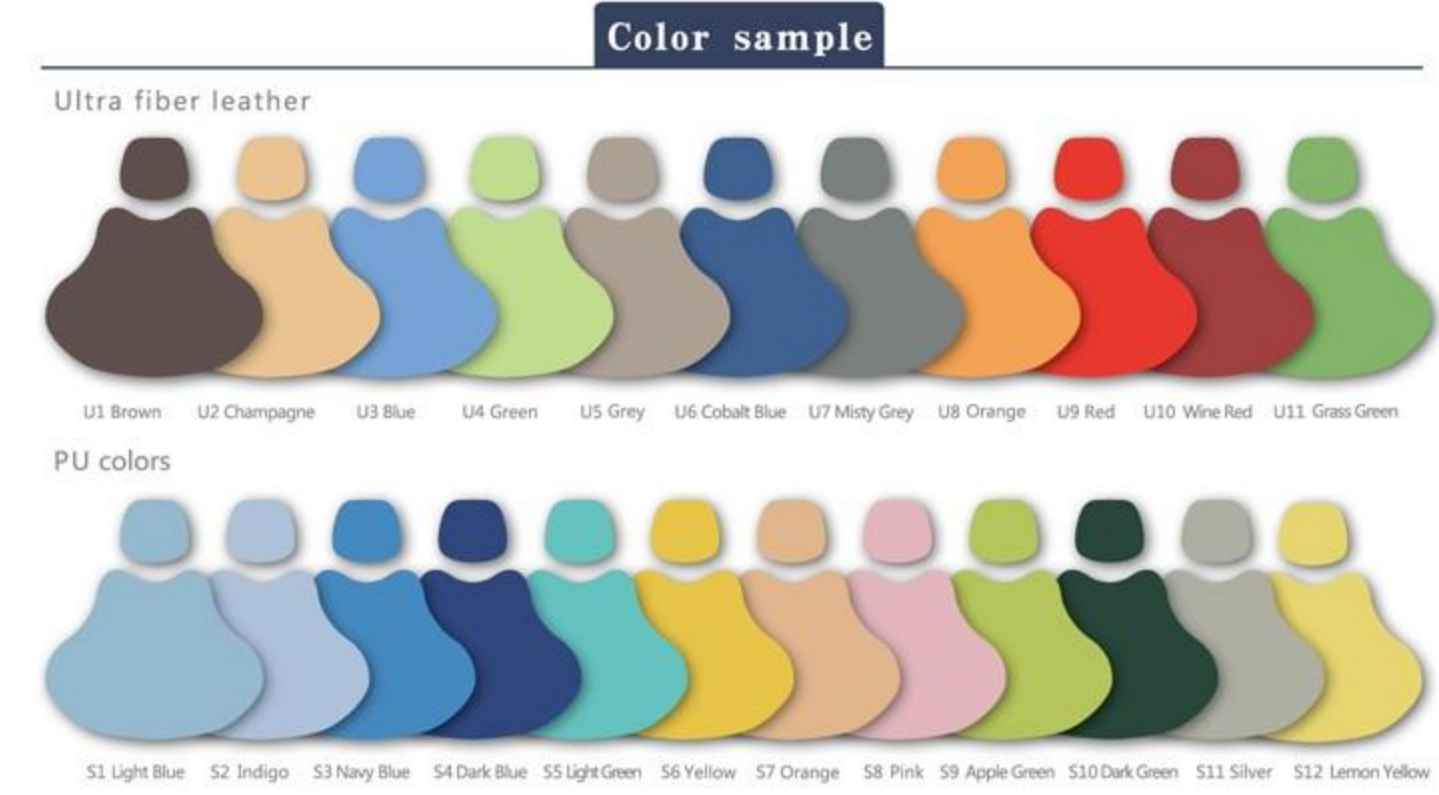
# Elegant Noble Fashionable

AJ18 is one of our high grade dental chair, it's designed by our designer from European, with graceful shape and classical style. We aim to satisfy the clinical professional needed and provide patients with comfortable chairs. Exerting the human engineering fully.



**ajax**

Quality Creates Value Detail Makes Difference



AJ18

# Efficient Safe Profession

Upgrade your Clinic



# Reliable Stable Durable

- Aluminum cast water unit frame**  
Aluminum casting materials, ensure the instrument and light stable.
- Faro EDI without sensor**
- Rotatable glass spittoon**  
The spittoon is rotatable, easy for patients to spit.
- Cast aluminum alloy patient chair**
- New design filter**  
Better filtration performance sealing against leaking, stronger suction power easy disassembling and cleaning, more durable.



**Water bottle one switch control**  
One switch instead of two switch, it's simple and easy to operate.



**American made tubing**  
All internal air and water pipelines are sourced from America.



**Individual air water valve**  
Each tube with individual valve make the valve durable.



**Water/Air/Power one switch on/off control system**  
Prevent high water pressure at night to extend pipelines life after doctor finished work.



**Enclosed electric safety box**  
Designed with European standard, prevent moist and electromagnetic interference.





# Luxury Advanced Modern

AJ16 is one of our advanced dental chair, we specially designed for American market, with our concept "Luxury, Advanced, Modern", aim to satisfy the clinical professional needed and provide patients with comfortable wide chairs, exerting the human engineering.



# Safety and Hygiene ensurance

We aim to provide a safety and hygiene environment to both dentists and patients.



**Handpiece anti flow system**  
To prevent infection through the pipeline between patients.



**Suction delay off system**  
5 seconds delay off to ensure suction pipelines is completely emptied.



**Independent dual water bottle**  
Easier to disinfect the pipeline, reduce the cross infection in the pipeline keep the equipment cleaning.



**Water/Air/Power one switch on/off control system**  
Prevent high water pressure at night to extend pipelines life after doctor finished work.



**Enclosed electric safety box.**  
Designed with European standard, prevent moist and electromagnetic interference.



**Chair and instrument locking system**  
The chair movement being locked during the instrument in operation.



# ajax

Quality Creates Value Detail Makes Difference



AJ16



### Color sample

Ultra fiber leather



U1 Brown U2 Champagne U3 Blue U4 Green U5 Grey U6 Cobalt Blue U7 Misty Grey U8 Orange U9 Red U10 Wine Red U11 Grass Green

PU colors



S1 Light Blue S2 Indigo S3 Navy Blue S4 Dark Blue S5 Light Green S6 Yellow S7 Orange S8 Pink S9 Apple Green S10 Dark Green S11 Silver S12 Lemon Yellow

# Reliable Stable Durable

**Aluminum cast water unit frame**  
Aluminum casting materials, ensure the instrument and light stable.

**Stable water unit**  
New water unit frame by aluminum alloy casting, improve the chair stable stability.

**Cast aluminum alloy patient chair**

**New design filter**  
Better filtration performance sealing against leaking, stronger suction power easy disassembling and cleaning, more durable.

**Rotatable spittoon**  
Convenient for patient to spit, and easy to clean.

**Water bottle one switch control**  
One switch instead of two switch, it's simple and easy to operate.



**American made tubing**  
All internal air and water pipelines are sourced from America.



**Individual air water valve**  
Each tube with individual valve make the valve durable.



**Water/Air/Power one switch on/off control system**  
Prevent high water pressure at night to extend pipelines life after doctor finished work.



**Enclosed electric safety box.**  
Designed with European standard, prevent moist and electromagnetic interference.







CE 0120  
ISO13485:2003  
ISO9001

European  
Free Sells  
certificate

# Comfortable Healthy

**AJ12** is one of our high class dental chairs, with exquisite outlook, high quality materials. Our concept is to create healthy working conditions for dentist and comfortable environment for patients.



## Standard configurations

**Dental light**  
Deluxe dental light with sensor

**Patient chair**  
Ergonomot on chair  
Seamless upholstery  
Articulated headrest  
Rotatable armrest  
Chair-instrument safety lock system  
3 programmable work positions  
Round foot control

**Delivery system**  
Hanging hose system  
Silicon pad for instrument table  
Air turbine hose x 3  
Three way syringe  
Built in X-ray viewer  
15function control panel

**Assistant**  
Three way syringe with warm water  
10 function control panel  
With instrument table

**Water unit**  
Rotatable cuspidor  
Rotatable Ceramic spittoon  
Clean water bottle system  
24V water heater  
High quality air and water lines

**Junction box**  
Integral junction box

**Dental stool**  
D2 dental stool with 4 functions

## Color sample

### Ultra fiber leather



U1 Brown U2 Champagne U3 Blue U4 Green U5 Grey U6 Cobalt Blue U7 Misty Grey U8 Orange U9 Red U10 Wine Red U11 Grass Green

### PU colors



S1 Light Blue S2 Indigo S3 Navy Blue S4 Dark Blue S5 Light Green S6 Yellow S7 Orange S8 Pink S9 Apple Green S10 Dark Green S11 Silver S12 Lemon Yellow



# AJ12