

From the Purity of the Quartz is born our new Incredible Transparent Fiber Post The Light not encounter obstacles !!

Crystal quartz fiber post, is the new transparent quartz fiber post of Micro Medica, Crystal is the result to many years of research and experimentation, the use of pure raw materials and a innovative production technology, have allowed to obtain a product with unique characteristics. Using a perfect mix of quartz fiber and epoxy resin have created a post from the incredible transparency and exceptional mechanical properties.

CRYSTAL

quartz fiber posts



100% Made in Italy



Micro.Medica
innovative technologies

CRYSTAL

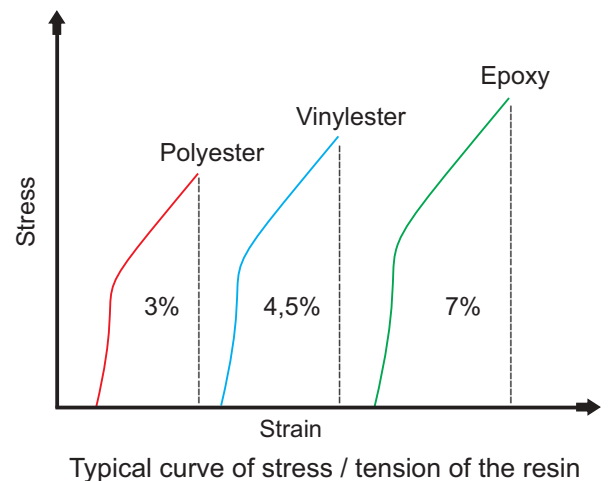
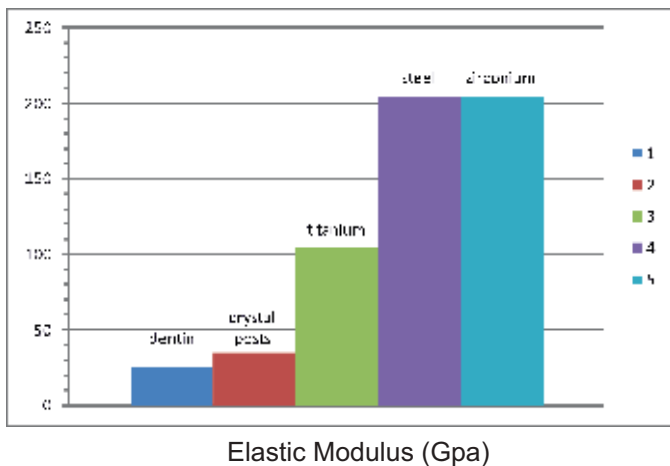
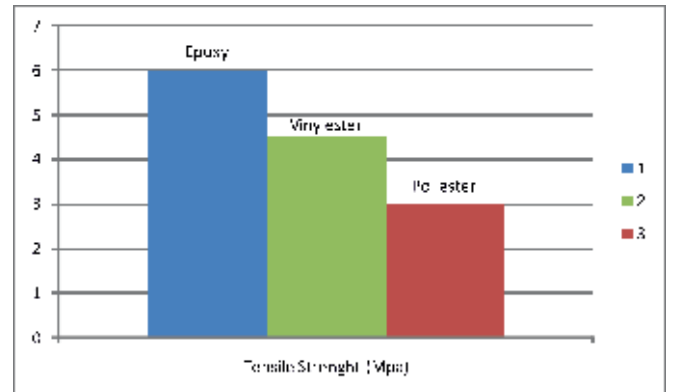
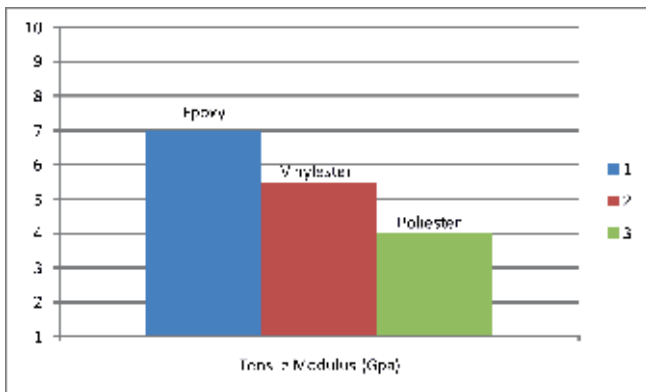
quartz fiber posts

The light finally not encounter obstacles and can pass through the post without problems, this quality extremely important guarantees perfect cementation.

Every single form of new posts has been designed for satisfy the needs of modern endodony in the respect of root canal anatomy.

Crystal quartz fiber post, is the new transparent quartz fiber post of Micro Medica, Crystal is the result to many years of research and experimentation, the use of pure raw materials and a innovative production technology, have allowed to obtain a product with unique characteristics. Using a perfect mix of quartz fiber and epoxy resin have created a post from the incredible transparency and exceptional mechanical properties. Obtain transparent post using the epoxy resin is extremely difficult and complex.

Many manufacturers of posts not having the necessary know how for obtain from this resin a product extremely transparent used vinyl or polyester resin, with these is easier to obtain posts with a discrete transparency, but unfortunately these resins have characteristics Mechanical-Chemical significantly lower at the epoxy resin for this reason Micro Medica do not use for it's posts these products.



The pretensioned longitudinal fibers and an elastic modulus similar to the dentine make to the posts Crystal the right tool for reconstruction resistance and performing.



The posts Crystal as all the fiber posts Micro Medica are treated with the new exclusive Brushing Water Treatment.

BWT is the new exclusive system of surface treatment developed by Micro Medica to increase the retentive power of fiber posts, an innovative system that allows to make extremely rough the surface of glass fiber posts and carbon fiber without damaging them.

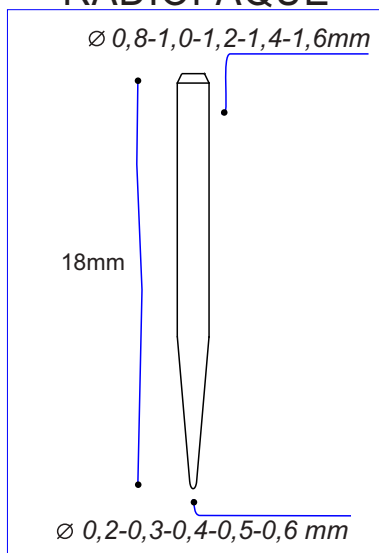
A light massage prepares the surface of the posts in homogeneous mode and increases retentive power up to 40% more than a posts untreated.

The system also ensures a perfectly clean of the post by removing any impurities from the fiber.

The system water brushing guarantees a perfect adhesion with any type of cement and favoring a cement-fiber connection incredibly durable.

Search on the packaging the brand BWT that ensures the treatment of the posts that you have purchased.

RADIOPAQUE



Special Kit

CODE	CF/BOX	PZ/PCS
SIM/QK	01	25+5

Transparent Quartz Fiber Post

CODE	CF/BOX	PZ/PCS
SIM80Q	01	10
SIM100Q	01	10
SIM120Q	01	10
SIM140Q	01	10
SIM160Q	01	10

Transparent Quartz Fiber Post and Drill

CODE	CF/BOX	PZ/PCS
SIM80QF	01	10+1
SIM100QF	01	10+1
SIM120QF	01	10+1
SIM140QF	01	10+1
SIM160QF	01	10+1

Drills

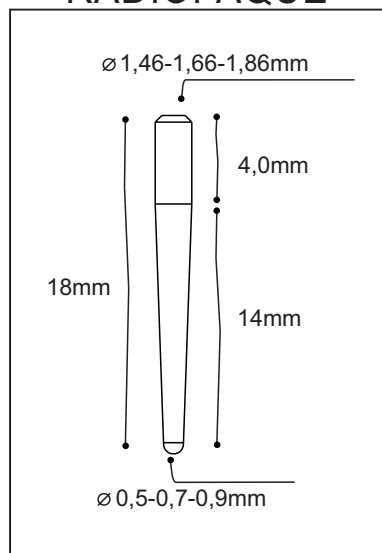
Rpm max:20000min-Opt.1000min

CODE	BOX/pcs
FCI80 ○	01
FCI100 ●	01
FCI120 ●	01
FCI140 ●	01
FCI160 ●	01

Cylindrical



RADIOPAQUE



HARLEY STREET
L O N D O N

Special Kit

CODE	CF/BOX	PZ/PCS
HS/QK	01	15+3

Transparent Quartz Fiber Post

CODE	CF/BOX	PZ/PCS
HS50Q	01	10
HS70Q	01	10
HS90Q	01	10

Transparent Quartz Fiber Post and Drill

CODE	CF/BOX	PZ/PCS
HS50QF	01	10+1
HS70QF	01	10+1
HS90QF	01	10+1

Drills

Rpm max:20000min-Opt.1000min

CODE	CF/BOX
FCO50 ●	01
FCO70 ●	01
FCO90 ●	01

Conical Type 2°



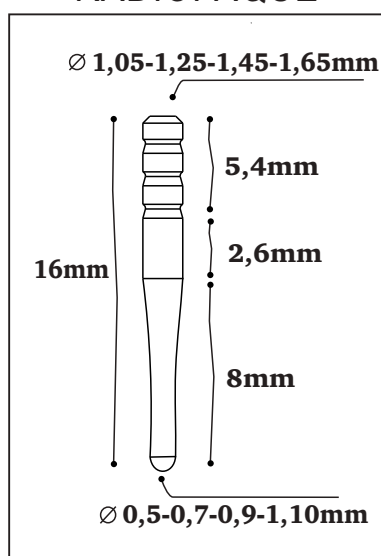
CRYSTAL

quartz fiber posts

Micro Medica has always been careful to the evolution of materials and markets, our goal is to help our customers in the world to win the challenge with the future market with new, competitive and technologically advanced products, the new line of fiber posts Crystal is the confirmation that work with passion and diligence can only give great results.



RADIOPAQUE



Conical Type 2°

Transparent Quartz Fiber Post

CODE	CF/BOX	PZ/PCS
911-50Q	01	10
911-70Q	01	10
911-90Q	01	10
911-110Q	01	10

Transparent Quartz Fiber Post and Drill

CODE	CF/BOX	PZ/PCS
911-50QF	01	10+1
911-70QF	01	10+1
911-90QF	01	10+1
911-110QF	01	10+1

Drills

Rpm max: 20000min-Opt.1000min

CODE	CF/BOX
FCO50	01
FCO70	01
FCO90	01
FCO110	01

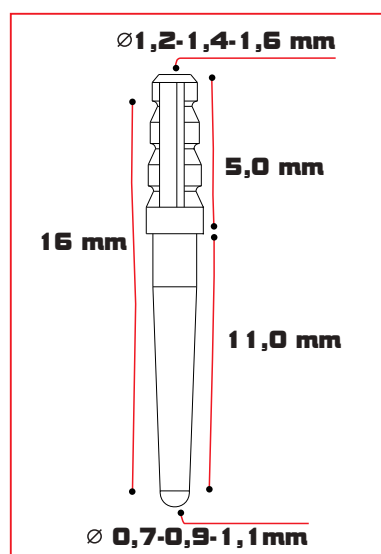
911 series



Special Kit

CODE	CF/BOX	PZ/PCS
911/QK	01	20+4

RADIOPAQUE



Conical Type 2°

Transparent Quartz Fiber Post

CODE	CF/BOX	PZ/PCS
CBC70Q	01	10
CBC90Q	01	10
CBC110Q	01	10

Transparent Quartz Fiber Post and Drill

CODE	CF/BOX	PZ/PCS
CBC70QF	01	10+1
CBC90QF	01	10+1
CBC110QF	01	10+1

Drills

Rpm max: 20000min-Opt.1000 min

CODE	CF/BOX
FCO70	01
FCO90	01
FCO110	01



FIBERPOST



Special Kit

CODE	CF/BOX	PZ/PCS
CBC/QK	01	15+3